

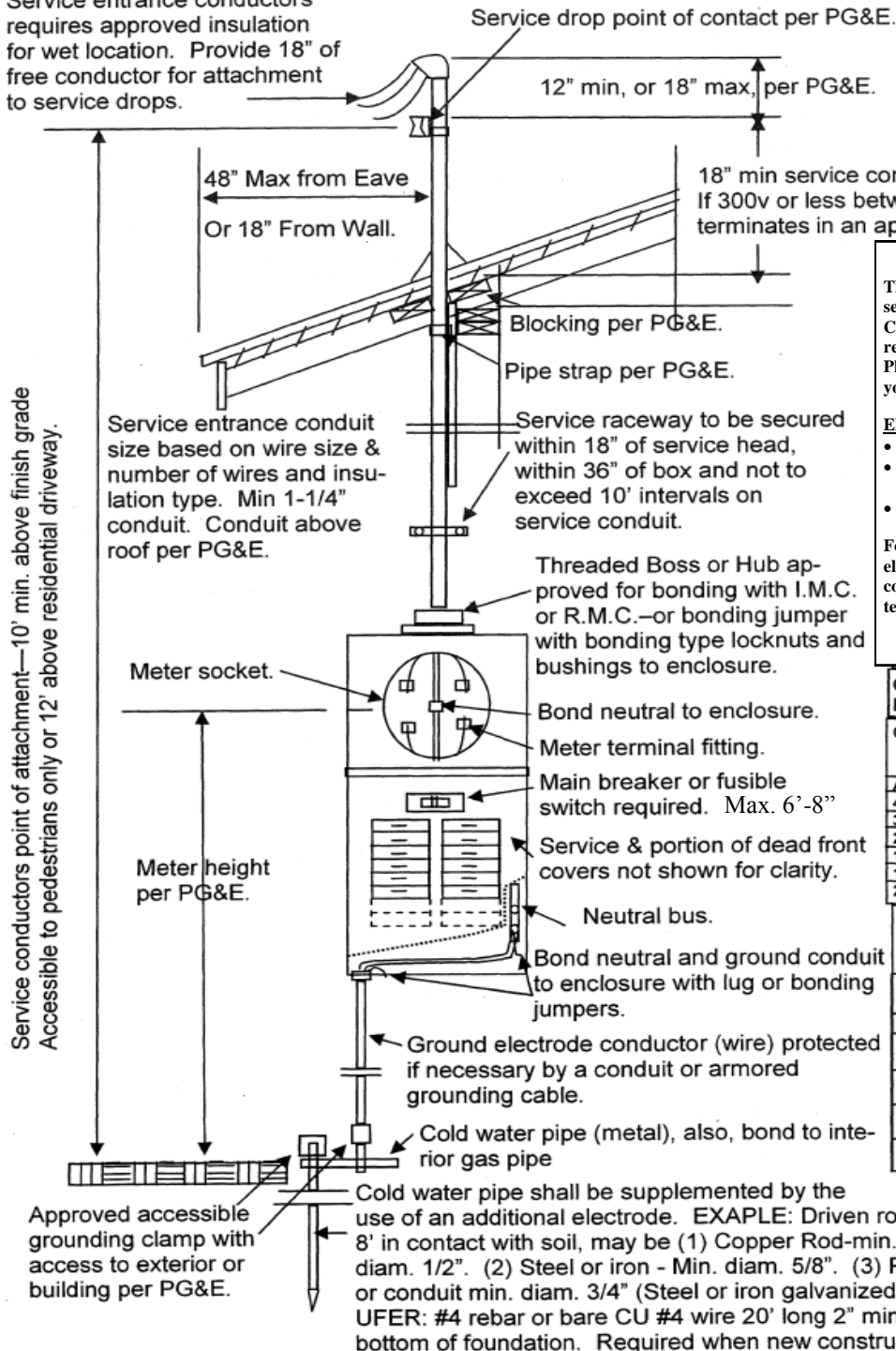


COUNTY OF NEVADA COMMUNITY DEVELOPMENT AGENCY BUILDING DEPARTMENT

950 MAIDU AVENUE, SUITE 170, NEVADA CITY, CA 95959-8617
(530) 265-1222 FAX (530) 265-8794 www.mynevadacounty.com

Residential Service Entrance / Main / Sub-Panel Directive Less Than 4,000 Foot Elevation

Service entrance conductors requires approved insulation for wet location. Provide 18" of free conductor for attachment to service drops.



Service conductors point of attachment—10' min. above finish grade Accessible to pedestrians only or 12' above residential driveway.

Service entrance conduit size based on wire size & number of wires and insulation type. Min 1-1/4" conduit. Conduit above roof per PG&E.

Meter height per PG&E.

General Notes

This illustration is intended to show basic residential electrical service installation requirements per the California Electrical Code. This illustration is not all inclusive and additional requirements may apply to your service installation project. Please consult with the Building Department prior to starting your electrical installation.

Electrical Service Working Clearance:

- 30" minimum wide in front
- 36" minimum clear depth in front (42" to conductive material and 48" to live parts)
- 78" minimum clear height

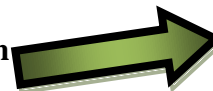
For underground service requirements consult with your electrical service provider. Services, switches, panel boards, conduits, etc shall be of a type approved by an authorized testing/listing agency (Underwriter Laboratory, etc).

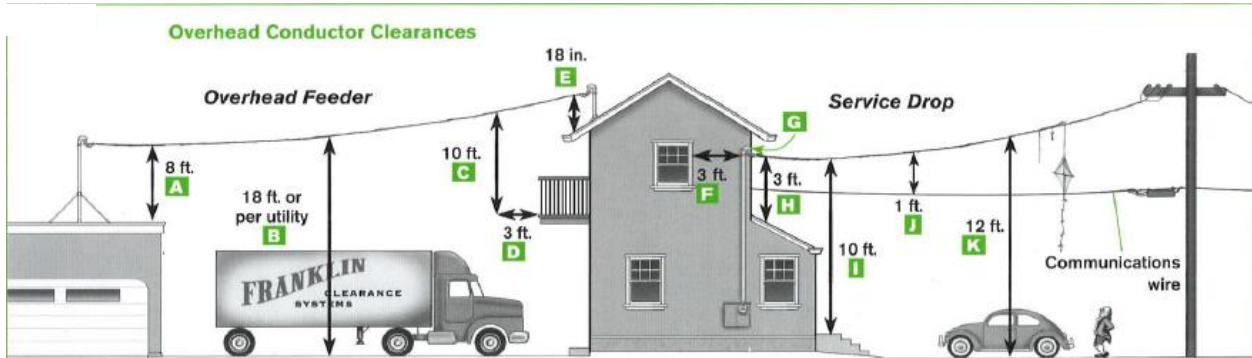
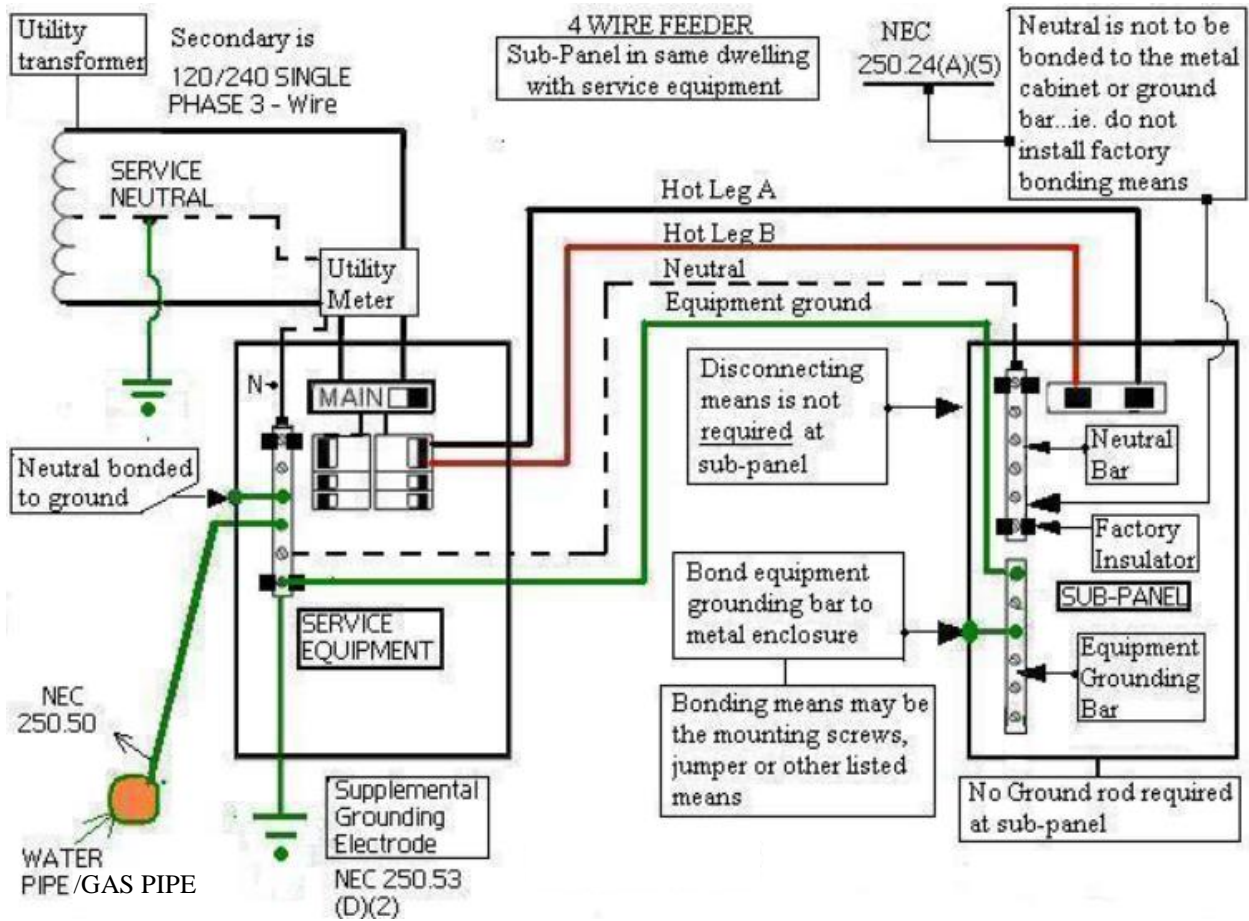
CONDUCTOR TYPES, SIZES & CONDUIT RH-RHH-RHW-THW-THWN-THHN-XHHW			
COPPER	ALUMINUM COPPER-CLAD AL	SERVICES RATING IN AMP	CONDUIT SIZE. 3 COND.
AWG	AWG		THW
4	2	100	1 1/4" MIN
3	1	110	1 1/4"
2	1/0	125	1 1/4"
1	2/0	150	1 1/4"
1/0	3/0	175	1 1/2"
2/0	4/0	200	2"

SIZE OF GROUND ELECTRODE CONDUCTOR & BONDING CONDUCTOR ON SUPPLY SIDE OF SERVICE		
LARGEST SERVICE ENTRANCE WIRE	GROUNDING ELECTRODE & BONDING CONDUCTOR	
COPPER	ALUM.	-COPPER-
#2	1/0 OR SMALLER	#8
#1 OR 1/0	2/0 OR 3/0	#6
#2/0 OR	4/0 OR 250KCMIL	#4

SEE CODE EXCEPTIONS 250-94

Intersystem bonding termination required with minimum 3 available bonding connections per CEC 250.94





ELECTRICAL SERVICE INSPECTION

1. 408.54 ----- Maximum number of overcurrent devices
2. 300----- Conduits adequately supported
3. 314.40(D)----- Ground fittings/bushings completed
4. UL Inc.----- Aluminum wire connection antioxidant (if req. by manuf.)
5. Manuf. ----- Lug torque per manufacturer installation instructions
6. 110.13 ----- Secure meter base
7. 110.14 ----- Assure all connections are tight
8. 110.26 ----- Proper location & clearance of panel
9. 230.70(A)(1)--- Readily accessible location
10. 200.6 ----- Identify neutrals (white) and grounds (green)
11. 250.28(B) ----- Panel bonding screw or jumper
12. 310.15(B)(7)-- Service entrance conductor size (residential only)
13. 250.8 ----- Only approved lugs or screws for grounding or bonding
14. 250.24 ----- Grounding electrode conductor connected to neutral buss
15. 250.104 ----- Bonding of gas / waterline
16. 250.52----- Required grounding electrode installed for main grounding of service
17. 250.94 ----- Intersystem bonding busbar completed
18. **** One GFCI receptacle, one breaker, panel cover, grounding, bonding and one circuit min. completed for temp power service.

